

3/2 and 5/2-way spool valves, monostable, with air purging function and pneumatic spring return. With latching manual operator and optional outgoing air restriction.

| | |
|---------------------------------|--|
| Medium: | Air, neutral gases, filtered |
| Operating temperature: | -20 °C to +70 °C |
| Working pressure: | 1.5 to 10.0 bar |
| Power input: | 3 W=/5 VA~ |
| Housing: | Anodised aluminium |
| Spool: | Stainless steel |
| Sealant: | NBR |
| Electrical connection: | Plug connector PG 9 |
| Included with the product: | Plug connector PG 9, 1 coding pin, 2 O-rings, 2 fixing screws |
| Protection: | IP 65 acc. to DIN 40050 |
| Switching time at 6 bar ON/OFF: | 13/16 ms |
| Manual control: | latching |



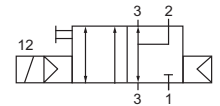
551.12



551.32

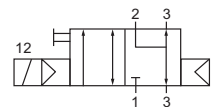
3/2-way spool valves with NAMUR style interface, NC

| Art. No. | Type No. | Voltage | Connection | DN | Flow rate l/min | Weight |
|----------|----------|--------------|------------|----|-----------------|--------|
| 103657 | 551.11 | 230 V, 50 Hz | G 1/4 | 7 | 1250 | 0.2 kg |
| 103658 | 551.12 | 24 V DC | G 1/4 | 7 | 1250 | 0.2 kg |



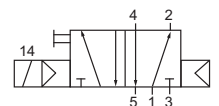
3/2-way spool valves with NAMUR style interface, NC, ports 1 and 3 or 2 and 3 swapped

| Art. No. | Type No. | Voltage | Connection | DN | Flow rate l/min | Weight |
|----------|----------|--------------|------------|----|-----------------|--------|
| 103659 | 551.21 | 230 V, 50 Hz | G 1/4 | 7 | 1250 | 0.2 kg |
| 103660 | 551.22 | 24 V DC | G 1/4 | 7 | 1250 | 0.2 kg |

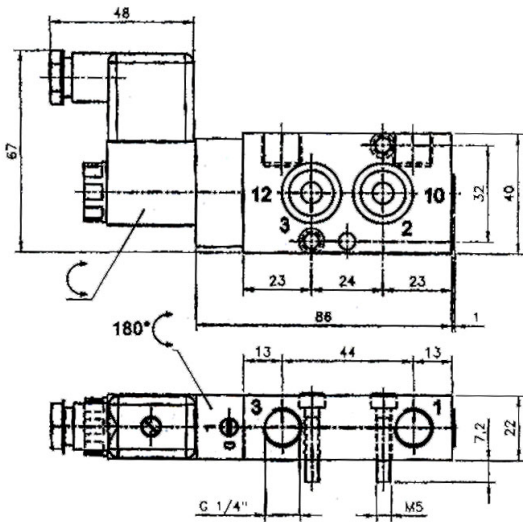


5/2-way spool valves with NAMUR style interface

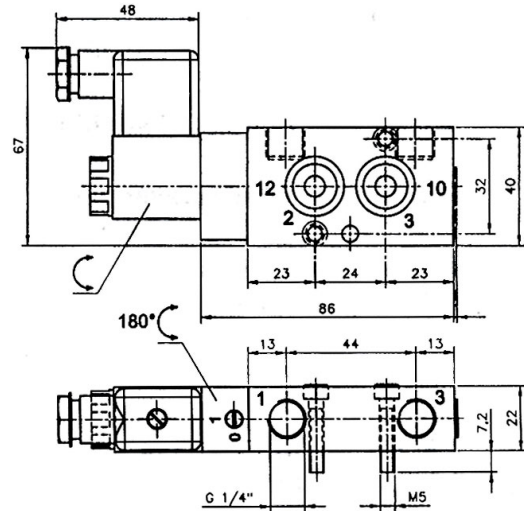
| Art. No. | Type No. | Voltage | Connection | DN | Flow rate l/min | Weight |
|----------|----------|--------------|------------|----|-----------------|--------|
| 103661 | 551.31 | 230 V, 50 Hz | G 1/4 | 7 | 1250 | 0.3 kg |
| 103662 | 551.32 | 24 V DC | G 1/4 | 7 | 1250 | 0.3 kg |



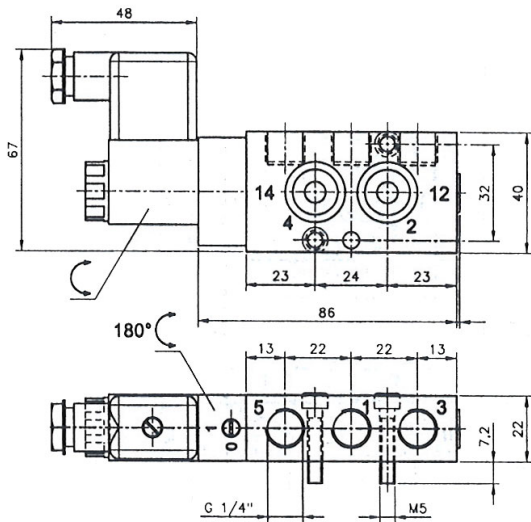
Dimension:



Type No. 551.11 and 551.12



Type No. 551.21 and 551.22



Type No. 551.31 and 551.32